



# Dexter™

High-efficiency urinal with Mach® Tripoint®  
flushometer  
K-PR5016-T2H

## Features

- Fixture and touchless flushometer combination is engineered for optimal performance
- Washout urinal
- 0.5 gpf (1.9 lpf)
- 3/4" (19 mm) top spud
- Flush valve activation distance is factory-set
- No external flush volume adjustment ensures water conservation
- 24-hour automatic sentinel flush keeps trapway fresh
- Mechanical override enables flushometer to be used manually even during a power outage
- Chloramine and chlorine resistance on all rubber components exposed to waterway
- Locking stop cap provides protection against vandalism
- 125-micron filter protects internal components
- High back pressure vacuum breaker
- Powered by a 30 year/875,000 cycle hybrid energy cell, based on 72 uses per day
- For this combination, order K-5016-ET urinal and K-10UH00G20 flushometer

## Material

- Vitreous china urinal
- Brass flush valve with durable Polished Chrome finish

## Technology

- Electronic infrared sensor with Tripoint® technology for accurate activation
- Patented piston technology for superior flush volume accuracy

## Water Conservation & Rebates

- This product can help a building earn Water Efficiency points in LEED® Green Building Rating System

## Included Components

Additional Components:

- 2" outlet spud
- 3/4" inlet spud
- Hanger(s) (Qty 2)



ADA

## Codes/Standards

ASME A112.18.1/CSA B125.1  
ASME A112.19.2/CSA B45.1  
ASSE 1037/ASME A112.1037/CSA B125.37  
DOE - Energy Policy Act 1992  
EPA WaterSense®  
ADA  
ICC/ANSI A117.1

## KOHLER® One-Year Limited Warranty

See website for detailed warranty information.

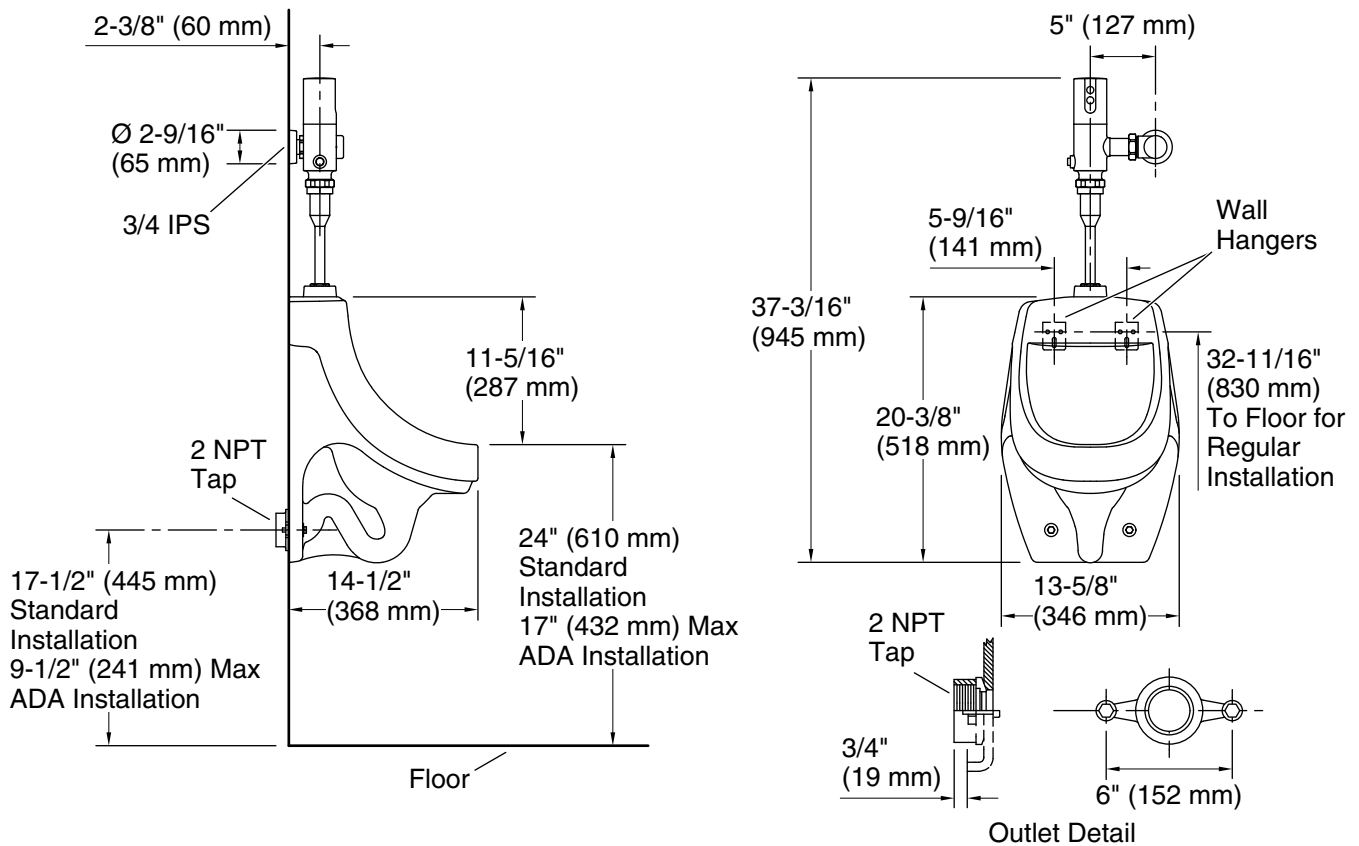
1-800-4KOHLER (1-800-456-4537)

Kohler Co. reserves the right to make revisions without notice to product specifications.

For the most current Specification Sheet, go to [www.kohler.com](http://www.kohler.com).

3-11-2023 00:29 - US/CA

THE BOLD LOOK  
OF **KOHLER**®



## Technical Information

All product dimensions are nominal.

Spud size: 3/4, Inlet, Top

## Pressure and Supply Requirements

Fixture pressure min 25 psi (172.4 kPa)  
 (static):

Fixture flow rate min: 25 gpm (94.6 lpm)

Fixture pressure 80 psi (551.6 kPa)  
 max (static):

## Notes

Install this product according to the installation instructions.

ADA compliant when installed to the specific requirements of these regulations.